



T'RANTULA GO USER'S MANUAL



Table of contents

| | |
|--------------------------------------------------------------|----|
| Getting started | 4 |
| In the box | 6 |
| Assembly | 8 |
| Technical specifications | 13 |
| Conservation Guidelines | 14 |
| Using 3rd Party Power Adapters | 15 |
| Precautions for Safe Use of DitoGear™ Power Cables | 15 |
| Using DitoGear™ Power Packs | 15 |
| Obtaining Support | 15 |
| Limited Warranty | 16 |
| Privacy | 19 |
| Miscellaneous | 19 |

1. Getting started

Thank you very much for purchasing DitoGear™ motion control equipment. We hope that our devices will meet your expectations bringing a great value to your productions.

This manual includes hardware instructions for using DitoGear™ T'rantula GO. T'rantula GO is delivered with DitoGear™ OmniController but it may be used with other DitoGear controllers, such as:

1. DitoGear™ Trito
2. DitoGear™ BD Controller
3. DitoGear™ DragonBridge Interface
4. DitoGear™ Evolution software package and multi-axis motion control interface

Detailed instruction related to the DitoGear™ OmniController have been delivered to you electronically with purchase of the device. In case you can't find it, download all manuals from ditogear.com/user-manuals

Please follow the instructions in this manual to learn how to get the most of DitoGear™ T'rantula GO and DitoGear™ motion control devices.

Please ensure to carefully read the safety instructions and precautions contained in this manual and corresponding controllers manuals prior to the first use of the device.

Should you need any assistance or support do not hesitate to contact us at support@ditogear.com.

Precautions for safe use and optimal T'rantula GO performance

Please read and follow the guidelines below to use the T'rantula GO safely and ensure its best performance.

Caution!
Incautious use of the device may cause serious injuries to your body. Never put your hands or fingers near the trolley or the traction belt during operation!

Caution!
DitoGear is not responsible for any damage to T'rantula GO, camera or other equipment caused by improper use of the device.

Caution!
Make sure not to put excessive load to the T'rantula GO. The payload that is considered as safe for optimal performance is 35kg (77.2 lb) in horizontal operation mode and 4.5kg (9.9lb) in vertical operation mode. Never use the T'rantula GO under higher payloads - the device may get damaged and you may void the warranty.

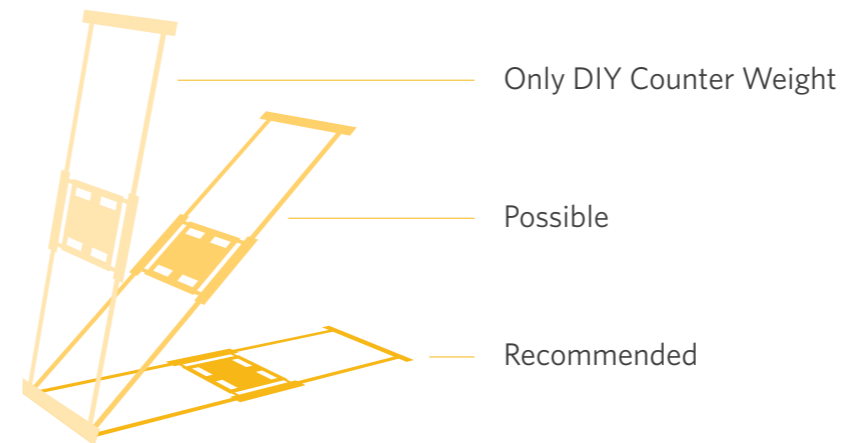
Motor warning signals and behaviors.

The DitoGear™ OmniSlider Servo, OmniHead, LensDrive, Modulo and T'rantula GO are equipped with an internal low-level servo motor controller protecting the motor from damage in result of overload or physical blockage of the moving parts. When a motor approaches the performance limit you will hear a short repeating beep from the motor box. It indicates that the motor is working under high payload and is close to its performance limit.

When an excessive load is put on the axis motor or the device is not properly calibrated and the motor tries to work against physical movement limit, a low-level motor controller will prevent the damage to the motor by cutting the power off. You will hear the continuous beep sound coming from the motor box. It indicates the motor stall. In this situation you need to press the reset button on the motor housing (OmniSlider, LensDrive) or reconnect signal cable (OmniHead, Modulo, T'rantula GO/HD) and probably re-calibrate the device.

Operation modes and angles

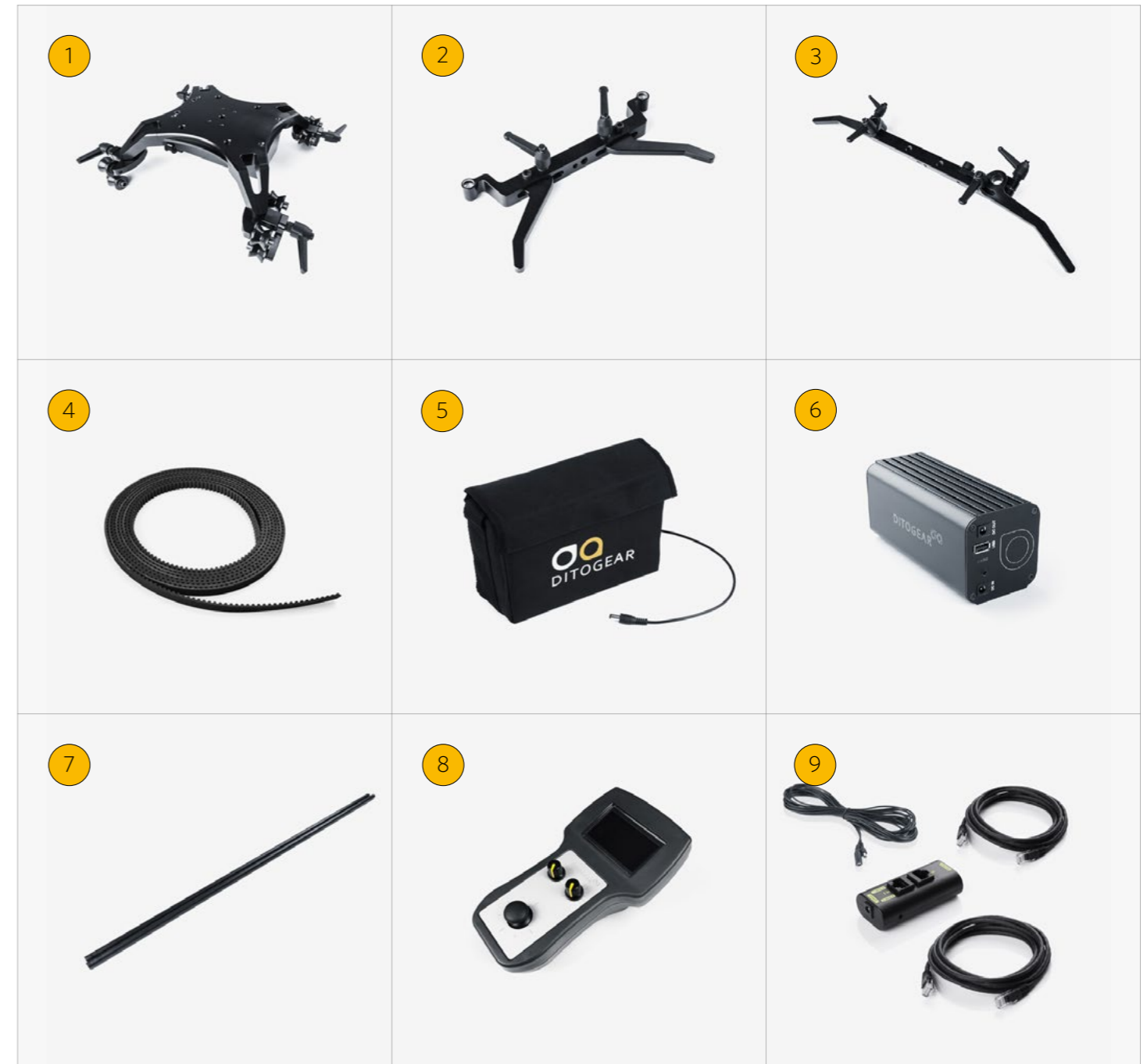
T'rantula GO is designed to operate horizontally. Depending on the weight of your camera setup, it can also be operated slightly tilted or even vertically. In case of working in vertical orientation, a DIY counterweight is recommended. DitoGear™ is not responsible for any damage to the equipment caused while operating in highly sloped or vertical orientation.



2. In the box

| T'rantula GO | T'rantula GO 1.0m Bundle | T'rantula GO 2.0m Bundle |
|--------------------------------------|--------------------------|--------------------------|
| PARTS | QUANTITY | |
| 1. Trolley w/ Servo Motor Unit | 1 | 1 |
| 2. Spreader | | 1 |
| 3. End Block (pair) | 1 | 1 |
| 4. Traction Belt | 1 | 1 |
| 5. Power Pack 7Ah* | 1 | 1 |
| 6. PowerBrick 15Ah* | | |
| 7. Track (pair of 1.0m) | 1 | 2 |
| 8. OmniController | 1 | 1 |
| 9. Power & Signal Cable Set (1 Axis) | 1 | 1 |

* Depending on the chosen battery type.



3. Assembly

- 1 Prepare T'rantula GO Track Units (two pairs) and a Spreader. (In case of T'rantula GO 1.0m - start from the next page)
- 2 Fix each pair of Track Units together through the Spreader hole.



- 1 Prepare two End Blocks.
- 2 Loosen Clamps to insert the Track Units into End Blocks holes.
- 3 Tighten the Clamps.
- 4 To change the position of Clamps without unscrewing the bolts - raise the Clamp, move into a desired position and lower it back.



- 1 Prepare T'rantula GO Trolley.
- 2 Unscrew all four Clamps holding one out of three Rollers in each arm of the Trolley.



- 1 Mount the Trolley on Track Units.
- 2 Attach Rollers with Clamps back to fasten the Trolley securely to Track Units. Each Roller need to adhere to Track.
- 3 Tighten the Clamps.
- 4 The Trolley should move freely along the Track.



- 1 Prepare a Traction Belt.
- 2 Place the Traction Belt between the cogwheel and two rollers. Make sure the belt is properly oriented. The teeth should be facing downwards.
- 3 Loosen Traction Belt Clamps on End Blocks and fasten the Traction Belt using the small pad underneath each Clamp.
- 4 Avoid excessive tension – the belt should be tight enough to avoid skipping the teeth on the gears.
- 5 Tighten Clamps to secure the Traction Belt



4. Technical specifications

DitoGear™ T'rantula GO - Technical specifications

| | |
|--------------------------------------------------------------|---------------------------------------------------------|
| Working speeds | min: virtually unlimited max: 1m/20s |
| Horizontal payload (motorized) | 35kg (77.2lb) |
| Horizontal payload (unmotorized) | 40kg (88.2lb) |
| Vertical (payload) «May be increased by using counterweight» | 4.5kg (9.9lb) |
| Power supply | 11.4V - 14.4V DC |
| Avg current draw | 0.5A (at 12V DC) |
| Battery operating time | w/ Power Pack 7Ah - 14hrs w/ PowerBrick 15Ah - 30hrs |
| Operating temperature | -25°C to 45°C |

Parts, accessories & bundles - dimensions and weights

| | |
|--------------------------------------------|-----------------------------------------------------------------------|
| DitoGear™ OmniController | 106(75) x 187 x 50 mm, approximately 300g (0.66 lb) |
| DitoGear™ Power Pack 7Ah / PowerBrick 15Ah | 151 x 65 x 95 mm, 2750g (6.06 lb) / 70 x 66 x 152 mm, 1150g (2.54 lb) |
| 1m track (pair of steel rods) | 1.4kg (3.1lb) |
| T'rantula Go Trolley | 2kg (4.4lb) |
| End blocks (pair) | 0.8kg (1.8lb) |
| Spreader | 0.3kg (0.7lb) |
| 1m T'rantula GO Bundle w/ PowerBrick 15Ah | 6.1kg (13.5lb) |
| 1m T'rantula GO Bundle w/ Power Pack 14Ah | 7.5kg (16.5lb) |
| 2m T'rantula GO Bundle w/ PowerBrick 15Ah | 7.9kg (17.4lb) |
| 2m T'rantula GO Bundle w/ Power Pack 14Ah | 9.3kg (20.5lb) |

5. Conservation Guidelines

DitoGear™ T'rantula GO drive electronics is protected by a sealed housing. It is weather resistant therefore it can work under standard conditions including high humidity, light rain or light show and low temperatures. However, it is not fully water resistant and should not be used under extreme conditions.

- 1 While not in use DitoGear™ T'rantula GO should be stored in a dry and dust-free place, preferably the Aluminum Transport Case by DitoGear™ or a Pelicase type of transport case.
- 2 Always be very careful storing and transporting the device and avoid mechanical damage. It is not covered by the warranty.
- 3 After use make sure to clean the DitoGear™ T'rantula GO drive and all DitoGear™ T'rantula GO parts with a soft fabric. You can use water and light cleaning fluids Do not use any strong chemicals.

6. Using 3rd Party Power Adapters

DitoGear recommends using original DitoGear™ AC/DC power adapters and batteries.

While using a 3rd party adapter make sure it meets the requirements detailed in technical specifications table.

Caution!

DitoGear is not responsible for any damage or failures caused by the use of a 3rd party power supply adapter.

7. Precautions for Safe Use of DitoGear™ Power Cables

Power cables cannot be looped during operation due to insufficient heat rejection that can cause melting of the cable insulation and ultimately its failure. Remember to disconnect all power cables after use, especially during transportation.

8. Using DitoGear™ Power Packs

DitoGear™ Power Pack 7Ah/14Ah and DitoGear™ PowerBox include gel type lead acid batteries, that have a low voltage operating limit. When you discharge the battery below that limit, the irreversible chemical processes occur and the recharging performance can be affected. It is recommended not to fully discharge the battery.

The lead acid battery will self-discharge slowly over time. Leaving the battery for more than 3 months without recharging may result in damage. Remember to recharge the battery at least every 3 months.

9. Obtaining Support

In case of any technical issues that can't be solved by carefully reading the manuals do not hesitate to contact us at support@ditogear.com

10. Limited Warranty

DitoGear One (1) Year Limited Warranty
For DitoGear Products Only

Consumer rights and restrictions.

For consumers, who are covered by consumer protection laws or regulations in their country of purchase or, if different, their country of residence, the benefits conferred by this warranty are in addition to all rights and remedies conveyed by such consumer protection laws and regulations. This warranty does not exclude, limit or suspend any rights of consumers arising out of non-conformity with a sales contract. However, as described below, DitoGear disclaims statutory and implied warranties to the extent permitted by law, and in so far as such warranties cannot be disclaimed, all such warranties shall to the extent permitted by law be limited in duration to the duration of the express warranty described below and to the repair or replacement service as determined by DitoGear in its sole discretion. Some states (countries and provinces) do not allow limitations on how long an implied warranty or condition may last, so the limitations described above may not apply to you. This warranty gives you specific legal rights, and you may also have other rights that vary from state to state (or by country or province). This limited warranty is governed by and construed under the laws of the country in which the product purchase took place. DitoGear, the warrantor, under this limited warranty stands for DitoGear™ Robert Paluch, ul.Krańcowa 30, 62-002 Suchy Las, Poland.

Warranty.

DitoGear's warranty obligations for this hardware product are limited to the terms set forth herein. DitoGear warrants this DitoGear-branded hardware product against defects in materials and workmanship under normal use for a period of one (1) year from the date of retail purchase by the original end-user purchaser ("Warranty Period"). If a hardware defect arises and a valid claim is received within the Warranty Period, at its option and to the extent permitted by law, DitoGear will either (1) repair the hardware defect at no charge, using new or refurbished parts that are equivalent to new in performance and reliability, (2) exchange the product with a product that is new or refurbished that is equivalent to new in performance and reliability and is at least functionally equivalent to the original product, or (3) refund the purchase price of the product. DitoGear may request that you replace defective parts with user-installable new or refurbished parts that DitoGear provides in fulfillment of its warranty obligation.

A replacement product or part, including a user-installable part that has been installed in accordance with instructions provided by DitoGear, assumes the remaining warranty of the original product or ninety (90) days from the date of replacement or repair, whichever provides longer coverage for you.

When a product or part is exchanged, any replacement item becomes your property and the replaced item becomes DitoGear's property. Parts provided by DitoGear in fulfillment of its warranty obligation must be used in products for which warranty service is claimed. When a refund is given, the product for which the refund is provided must be returned to DitoGear and becomes DitoGear's property.

Exclusions and limitations.

To the extent permitted by law, this warranty and the remedies set forth above are exclusive and in lieu of all other warranties, remedies and conditions, whether oral, written, statutory, express or implied. As permitted by applicable law, DitoGear specifically disclaims any and all statutory or implied warranties, including, without limitation, warranties of merchantability and fitness for a particular purpose and warranties against hidden or latent defects. If DitoGear cannot lawfully disclaim statutory or implied warranties then to the extent permitted by law, all such warranties shall be limited in duration to the duration of the express warranty and to the repair or replacement service as determined by DitoGear in its sole discretion. Some states (countries and provinces) do not allow limitations on how long an implied warranty or condition may last, so the limitations described above may not apply to you. No DitoGear reseller, agent, or employee is authorized to make any modification, extension, or addition to this warranty. If any term is held to be illegal or unenforceable, the legality or enforceability of the remaining terms shall not be affected or impaired.

This Limited Warranty applies only to hardware products manufactured by or for DitoGear. The Limited Warranty does not apply to any non-DitoGear hardware products even if packaged or sold with DitoGear hardware. Manufacturers or suppliers, other than DitoGear, may provide their own warranties to the end user purchaser, but DitoGear, in so far as permitted by law, provides their products "as is".

DitoGear does not warrant that the operation of the product will be uninterrupted or error-free. DitoGear is not responsible for damage arising from failure to follow instructions relating to the product's use.

This warranty does not apply: (a) to consumable parts, such as batteries, unless damage has occurred due to a defect in materials or workmanship; (b) to cosmetic damage, including but not limited to scratches, dents and broken elements on ports; (c) to damage caused by use with non-DitoGear products; (d) to damage caused by accident, abuse, misuse, liquid contact, fire, earthquake or other external causes; (e) to damage caused by operating the product outside the permitted or intended uses described by DitoGear; (f) to damage caused by service (including upgrades and expansions) performed by anyone who is not a representative of DitoGear; (g) to a product or part that has been modified to alter functionality or capability without the written permission of DitoGear; (h) to defects caused by normal wear and tear or otherwise due to the normal aging of the product.

Except as provided in this warranty and to the extent permitted by law, DitoGear is not responsible for direct, special, incidental or consequential damages resulting from any breach of warranty or condition, or under any other legal theory, including but not limited to loss of use; loss of revenue; loss of actual or anticipated profits (including loss of profits on contracts); loss of the use of money; loss of anticipated savings; loss of business; loss of Opportunity; loss of goodwill; loss of reputation; loss of, damage to or any indirect or consequential loss or damage howsoever caused including the replacement of equipment and property. The foregoing limitation shall not apply to death or personal injury claims, or any statutory liability for intentional and gross negligent acts and/or omissions. Some states (countries and provinces) do not allow the exclusion or limitation of incidental or consequential damages, so the above limitation or exclusion may not apply to you.

Obtaining warranty service.

DitoGear will provide warranty service either (i) at an DitoGear Retail or DitoGear Authorized Service Provider (“ASP”) location, where service is performed at the location, or the DitoGear Retail or ASP may send the product to an DitoGear repair service location for service, (ii) by sending you prepaid way bills (and if you no longer have the original packaging, DitoGear may send you packaging material) to enable you to ship the product to DitoGear’s repair service location for service, or (iii) by sending you customer installable new or refurbished replacement product or parts to enable you to service or exchange your own product (“DIY Service”). Upon receipt of the replacement product or part, the original product or part becomes the property of DitoGear and you agree to follow instructions, including, if required, arranging the return of original product or part to DitoGear in a timely manner. When providing DIY Service requiring the return of the original product or part, DitoGear may require a credit card authorization as security for the retail price of the replacement product or part and applicable shipping costs. If you follow instructions, DitoGear will cancel the credit card authorization, so you will not be charged for the product or part and shipping costs.

If you fail to return the replaced product or part as instructed or the replaced product or part is not eligible for warranty service, DitoGear will charge the credit card for the authorized amount.

Please access and review the online help resources at the DitoGear website (www.ditogear.com) and contained in the product manual before requesting warranty service. If the product is still not functioning properly after making use of these resources, please contact DitoGear at support@ditogear.com.

Service options, parts availability and response times may vary according to the country in which service is requested. Service options are subject to change at any time. You may be responsible for shipping and handling charges if the product cannot be serviced in the country in which service is requested. If you seek service in a country that is not the country of purchase, you will comply with all applicable import and export laws and regulations and be responsible for all custom duties, VAT, and other associated taxes and charges. For international service, DitoGear may repair or exchange defective products and parts with comparable products and parts that comply with local standards. In accordance with applicable law, DitoGear may require that you furnish proof of purchase details before receiving warranty service.

11. Privacy

DitoGear will maintain and use customer information in accordance with the DitoGear Customer Privacy Policy available at ditogear.com/legal/privacy-policy/.

12. Miscellaneous

Trademarks and copyrights

DitoGear™, DitoGear™ OmniController, DitoGear™ Evolution, DitoGear™ Trito , DitoGear™ OmniSlider, DitoGear™ OmniHead and DitoGear™ LensDrive, DitoGear™ Modulo are trademarks of Dito Gear Robert Paluch ul.Krańcowa 30, 62-002 Suchy Las, Poland. Unauthorised use is strictly prohibited. All other trademarks referenced in this manual are used only for informative purposes and are property of their respective owners.

Disposal and recycling information

The device and all batteries included with it must be disposed of properly according to local laws and regulations. The product must be disposed of separately from the household waste. When your product reaches its end of life, contact DitoGear or your local authorities to learn about recycling options.





WWW.DITOGEAR.COM