

Welcome

Thank you very much for purchasing DitoGear™ motion control equipment. We hope that the devices will meet your expectations bringing a great value to your productions.

We really strive for delivering the best unboxing and equipment usage experience. If we (or someone else) failed at some point, just let us know and we'll do our best to fix it promptly.



Here's where to get started.
» ditogear.com/welcome

More resources

Latest user manuals are available at
» ditogear.com/user-manuals

For advanced connection diagrams check
» ditogear.com/charts

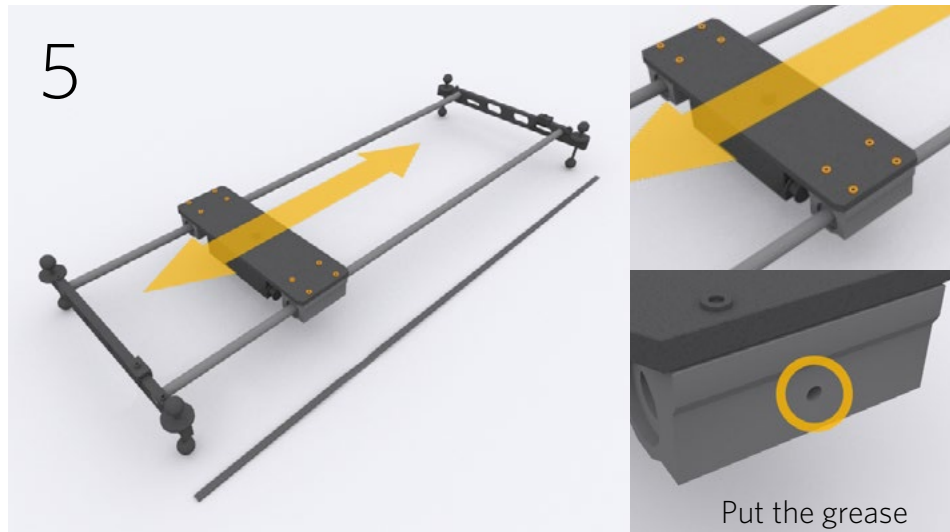
In case you need further assistance contact us at
» ditogear.com/support

1. Prepare all parts of BD Slider.
2. Attach both rods to one of End Blocks and tighten bolts marked orange. The end blocks should be oriented with the Traction Belt Clamp facing upwards.

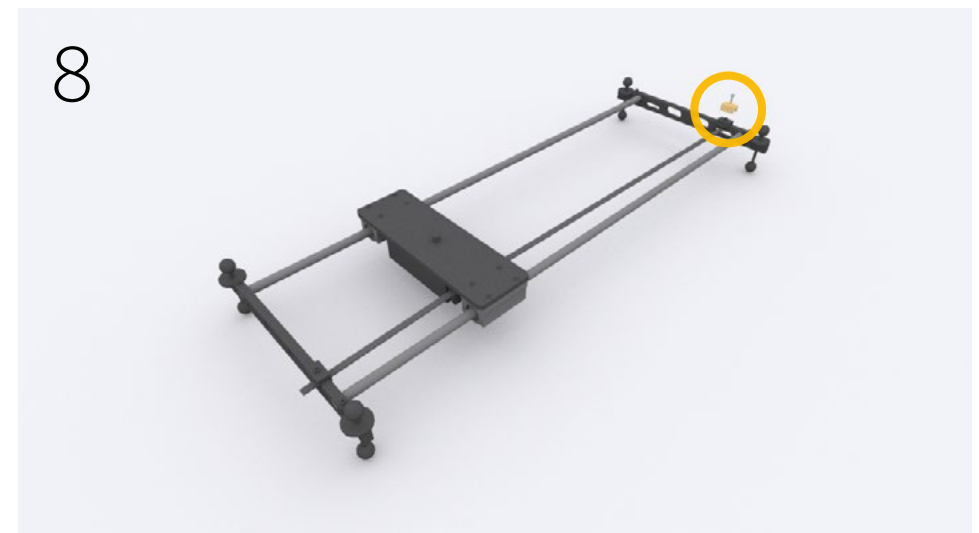
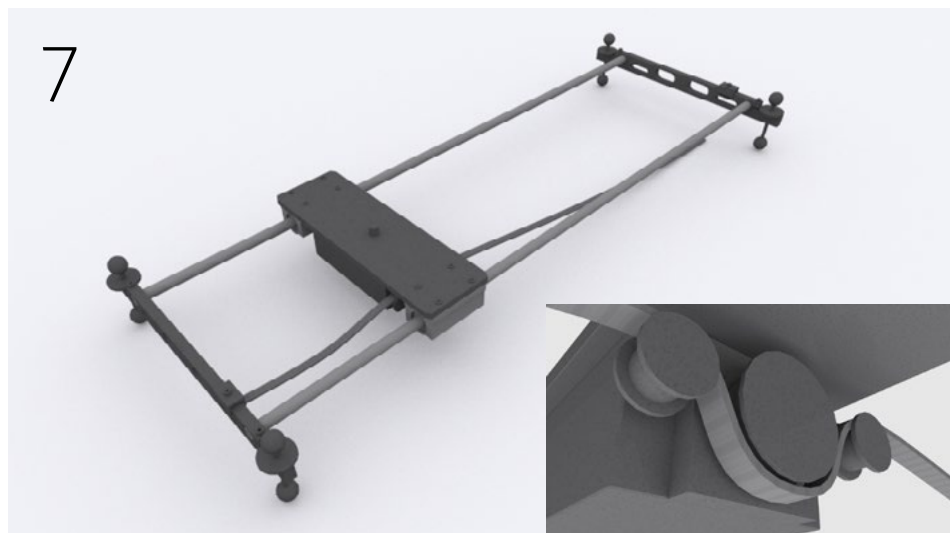
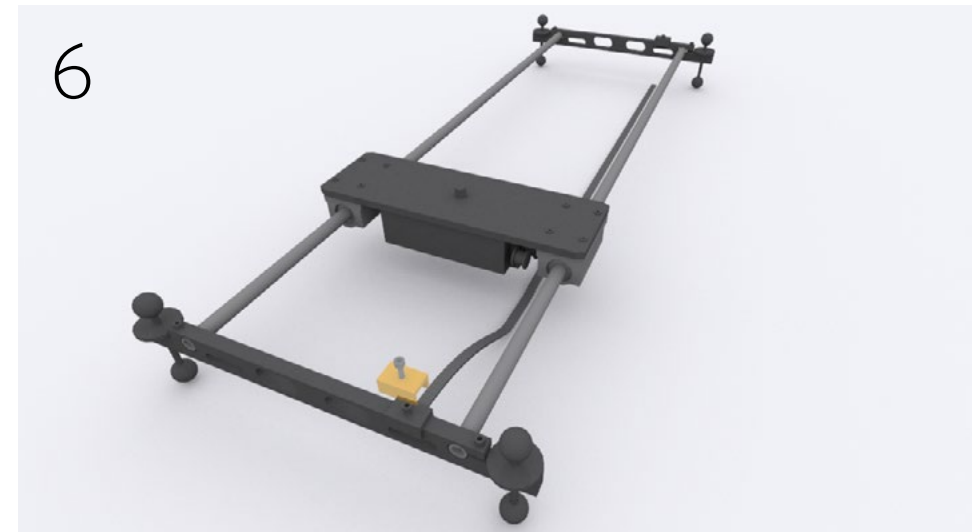
3. Slide the trolley with Servo Motor Unit onto the rods.
4. Affix the second End Block the same way and tighten the bolts.



5. The trolley should move freely along the rods. If you feel any resistance, loosen the highlighted bolts, move the trolley a few times back and forth and tighten the bolts back. This will help achieve perfect alignment of the bearings with the rods. You can also use an universal grease on the bearings to smoothen the movement. Apply only if necessary.
6. Loosen the Clamps and place the Traction Belt between Clamp and End Block. Tighten the screw to secure the Traction Belt.



7. Place the Traction Belt between the cogwheel and two rollers. Make sure the belt is properly oriented. The teeth should be facing upward.
8. Fasten the Traction Belt and attach it to the second End Block using the Clamp. Avoid excessive tension – the belt should be tight enough to avoid skipping the teeth on the gears.
9. Connect the controllers as described on Connection Diagrams.



1. Controller

Connect BD Controller and DitoGear™ BD Slider with RJ45 signal cable

2. Power

Connect the power source - a DitoGear™ Power Pack 7Ah/14Ah, a DitoGear™ AC/DC power adapter or a 3rd party compatible power source directly to BD Controller.

